

**WALL MOUNTED STEEL MULTI APRON AND GLOVE RACK,
WITH TWO BARS AND FOUR GLOVE HOLDERS**

PRODUCT INFORMATION

PHILLIPS-SAFETY.COM

COPYRIGHT ©2025. ALL RIGHTS RESERVED



PHILLIPS SAFETY
PRODUCTS INC.

PRODUCT INFORMATION

WALL MOUNTED STEEL MULTI APRON AND GLOVE RACK, WITH TWO BARS AND FOUR GLOVE HOLDERS



The Wall Mounted Steel Multi Apron and Glove Rack, with Two Bars and Four Glove Holders, is an ideal wall mount rack for storing multiple pairs of gloves and aprons. This Phillips Safety apron rack is latex free, has a sturdy steel construction and a neutral off-white color. Plus, it also has a convenient bar to hold thyroid collars. The overall dimensions are 19" W x 20" H, weighing 192 oz.

SPECIFICATION

COLOR: White

FEATURES: Wall mounted, latex free,
sturdy steel construction

MATERIAL: Steel

LEAD APRON CAPACITY: 2

LEAD GLOVES CAPACITY: 4

SIZE: 19" W x 20" H

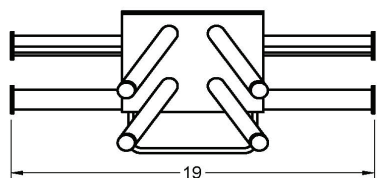
WEIGHT: 192 oz

PRODUCT INFORMATION

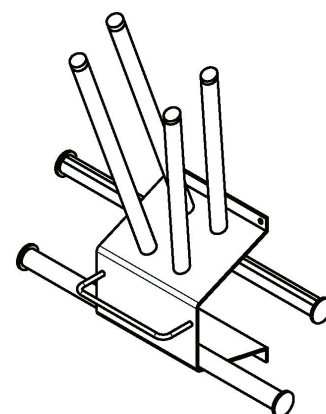
WALL MOUNTED STEEL MULTI APRON AND GLOVE RACK, WITH TWO BARS AND FOUR GLOVE HOLDERS

RAR-821

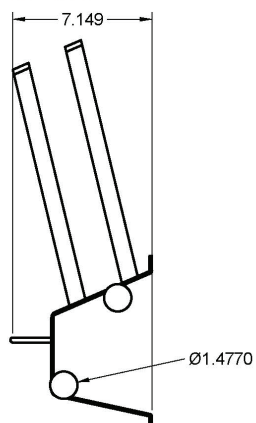
TOP



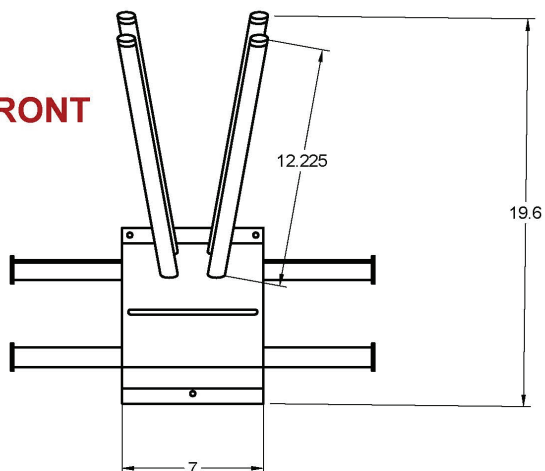
PERSPECTIVE



SIDE



FRONT



ALL THE DIMENSIONS ARE INCHES UNLESS SPECIFIED OTHERWISE.		PROJECT			
		RAR 821			
APPROVED		SIZE	CODE	DWG NO	REV
		B			
CHECKED		TITLE			
DRAWN Ryan Phillips		PHILLIPS SAFETY PRODUCTS INC			
		SCALE 1:1	WEIGHT 8.8 LBS	SHEET 1/1	

PRODUCT INFORMATION

WALL MOUNTED STEEL MULTI APRON AND GLOVE RACK, WITH TWO BARS AND FOUR GLOVE HOLDERS

CONTACT

Should you need any further information,
please do not hesitate to contact us.

123 Lincoln Blvd, Middlesex, NJ 08846, USA



+1 866 575 1307



service@phillips-safety.com



www.phillips-safety.com

