

# WALL MOUNTED CHROME LEAD APRON AND GLOVE HOLDER

PRODUCT INFORMATION

[PHILLIPS-SAFETY.COM](http://PHILLIPS-SAFETY.COM)

COPYRIGHT ©2025. ALL RIGHTS RESERVED



**PHILLIPS SAFETY**  
PRODUCTS INC.

## PRODUCT INFORMATION

### WALL MOUNTED CHROME LEAD APRON AND GLOVE HOLDER



The Wall Mounted Chrome Lead Apron and Glove Holder was designed to be mounted on a wall and hold one lead apron and one pair of gloves. This Phillips Safety holder has a high-quality chrome construction. The overall dimensions are 27.75" W x 17" H.

## SPECIFICATION

---

**COLOR:** White

**MATERIAL:** Steel

**FEATURES:** High-quality chrome construction,  
wall mounted

**SIZE:** 27.75" x 17"

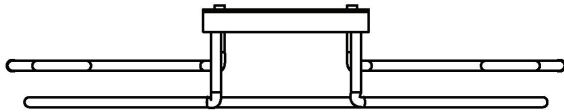
**WEIGHT:** 192 oz

**LEAD GLOVE CAPACITY:** 2

**PRODUCT INFORMATION**  
**WALL MOUNTED CHROME LEAD APRON AND GLOVE HOLDER**

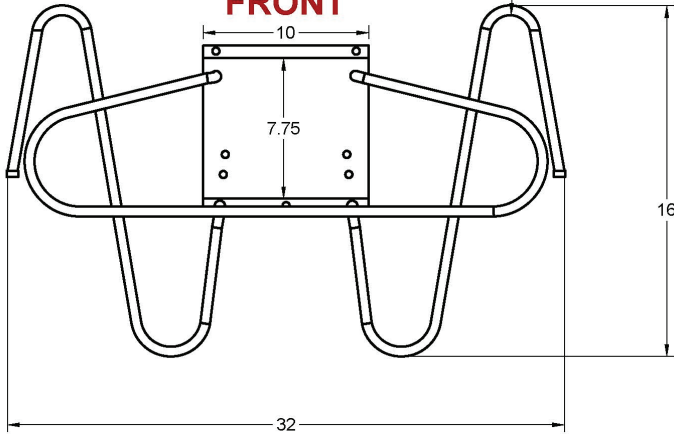
**RAR-820C**

**TOP**

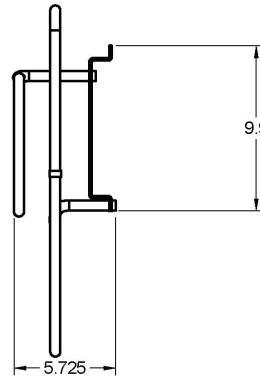


Ø0.760 THICKNESS OF THE ROD

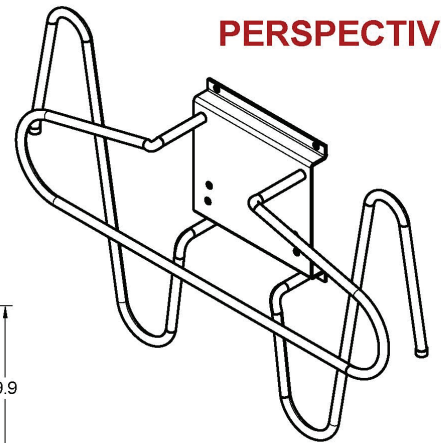
**FRONT**



**SIDE**



**PERSPECTIVE**



ALL THE DIMENSIONS  
 ARE IN INCHES UNLESS  
 SPECIFIED OTHERWISE.

PROJECT  
**RAR-820C**  
 TITLE  
**PHILLIPS SAFETY PRODCUTS INC**

APPROVED	SIZE	CODE	DWG NO	REV
CHECKED	B			
DRAWN Ryan Phillips	SCALE 1:1	WEIGHT 6 LBS	SHEET 1/1	

**PRODUCT INFORMATION**

WALL MOUNTED CHROME LEAD APRON AND GLOVE HOLDER

# CONTACT

Should you need any further information,  
please do not hesitate to contact us.

123 Lincoln Blvd, Middlesex, NJ 08846, USA



+1 866 575 1307



service@phillips-safety.com



www.phillips-safety.com

