

# DELUXE MOBILE LEAD SHIELD WITH T-BASE

## PRODUCT INFORMATION

[PHILLIPS-SAFETY.COM](http://PHILLIPS-SAFETY.COM)

COPYRIGHT ©2025. ALL RIGHTS RESERVED



**PHILLIPS SAFETY**  
PRODUCTS INC.

**PRODUCT INFORMATION**  
DELUXE MOBILE LEAD SHIELD WITH T-BASE



The Deluxe Mobile Lead Shield with T-Base is an accommodating radiation shielding for both children and adults. Made of durable Nylon fabric, it is available with 0.5mm PbEq protection and 1.0mm PbEq protection. This Phillips Safety lead shield is excellent for patient and staff protection during imaging procedures, due to its Posi-Lock height adjustable arm with spring-loaded pin that adjusts from 8" to 60". Plus, due to its all steel T-Base, it provides excellent stability and confidence in no-tipping due to its and allows for easy positioning around equipment and wall stands. The Deluxe Mobile Lead Shield measures 24" W x 30" H.

**SPECIFICATION**

---

**SIDE SHIELD: 24" H x 30" W**

**WEIGHT: 29 oz**

**PROTECTION LEVEL: 0.5mm Pb LE | 1.0mm Pb LE**

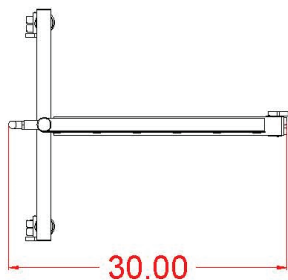
**MATERIAL: Steel T-Base**

**FEATURES: Adjustable Height 8" to 60"**

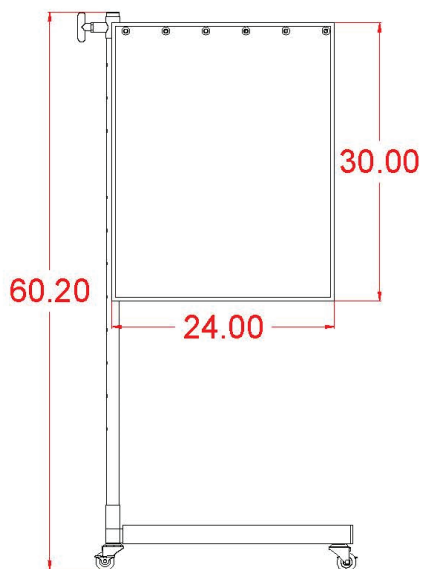
**PRODUCT INFORMATION**  
DELUXE MOBILE LEAD SHIELD WITH T-BASE

## Deluxe Mobile Lead Shield with T-Base

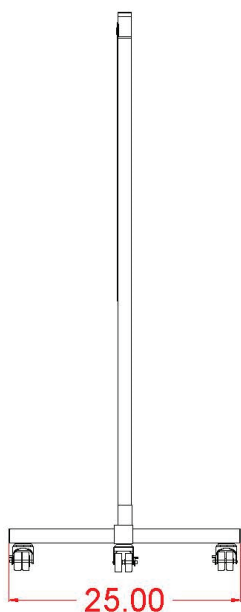
Top



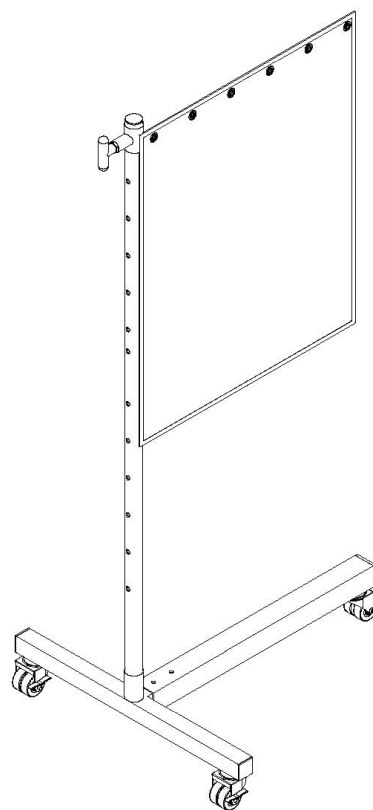
Front



Side



Perspective



**LB-MB-3024**  
**SCALE: 1/2" = 1'**


**PRODUCT INFORMATION**  
DELUXE MOBILE LEAD SHIELD WITH T-BASE

# CONTACT

Should you need any further information,  
please do not hesitate to contact us.

123 Lincoln Blvd, Middlesex, NJ 08846, USA 

+1 866 575 1307 

service@phillips-safety.com 

www.phillips-safety.com 