

MOBILE LEADED BARRIER WITH 24" X 30" WINDOW

PRODUCT INFORMATION

[PHILLIPS-SAFETY.COM](https://www.phillips-safety.com)

COPYRIGHT ©2025. ALL RIGHTS RESERVED



PHILLIPS SAFETY
PRODUCTS INC.

PRODUCT INFORMATION

MOBILE LEADED BARRIER WITH 24" X 30" WINDOW



The Mobile Leaded Barrier with 30" x 24" Window is a portable, full-body radiation barrier designed to protect against secondary radiation. It features 2.0mm lead equivalent opaque panels of solid, leaded x-ray protection with contoured sides. Its 30" W x 24" H lead equivalency window is a viewing panel which can be chosen in two different materials: a 2.0mm lead equivalent high-quality Schott leaded glass or a 0.5mm lead equivalent leaded acrylic. With an overall size of 33.5" w x 75" H, this Phillips Safety leaded barrier travels easily on its four-caster locking base steel legs. Please note that the shipping weight is approximately 400 lbs. It is recommended that two people move the barrier together at all times.

SPECIFICATION

MATERIAL: Lead Glass or Acrylic with opaque panel solid lead

FEATURES: Portable, leaded X-ray protection with contoured sides, heavy duty, 4-caster base

SIZE: 33.5" x 75"

PROTECTION: 2.0mm Pb LE opaque panels

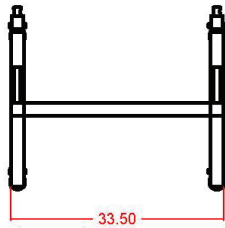
WINDOW PROTECTION: leaded glass 2.0mm Pb LE or acrylic 0.5mm Pb LE

PRODUCT INFORMATION

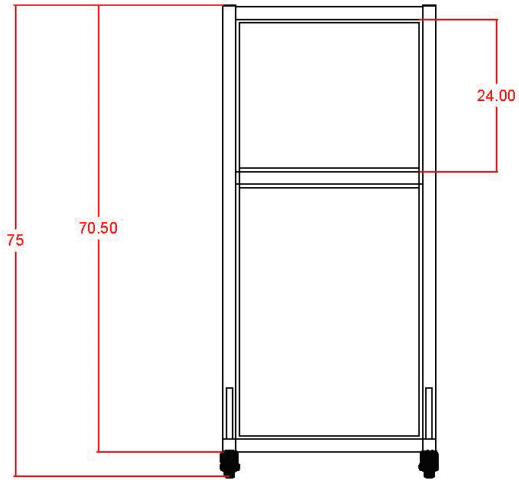
MOBILE LEADED BARRIER WITH 24" X 30" WINDOW

**Mobile Leaded Barrier
with 24" x 30" WINDOW**

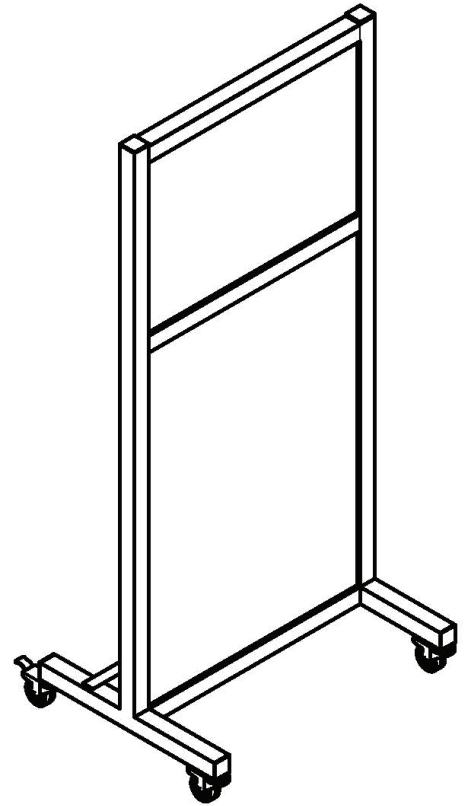
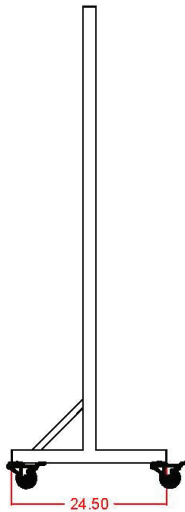
Top



Front



Side



LB-2430

SCALE: 1/2" = 1'

PRODUCT INFORMATION
MOBILE LEADED BARRIER WITH 24" X 30" WINDOW

CONTACT

Should you need any further information,
please do not hesitate to contact us.

123 Lincoln Blvd, Middlesex, NJ 08846, USA 

+1 866 575 1307 

service@phillips-safety.com 

www.phillips-safety.com 