

# STANDING MOBILE SHIELD

## PRODUCT INFORMATION

[PHILLIPS-SAFETY.COM](https://phillips-safety.com)

COPYRIGHT ©2025. ALL RIGHTS RESERVED



**PHILLIPS SAFETY**  
PRODUCTS INC.

**PRODUCT INFORMATION**  
STANDING MOBILE SHIELD



The Standing Mobile Shield is a radiation protective barrier with 2.0mm PbEq sheets between steel plates for optimum protection. With a compact design and opaque steel sides, this lead shield features an H-base which allows for easy access to procedure floor control pedals. Made of an easy-to-clean material, it also has a grip handle on the back of the shield for easy mobility. In addition, the Phillips Safety Standing Mobile Shield features a locking caster system. This standing mobile shield's overall measurements are 48" H x 21.5" W x 16" D, weighing 122 lbs.

**SPECIFICATION**

---

**SIZE: 48" H x 21.5" W x 16" D**

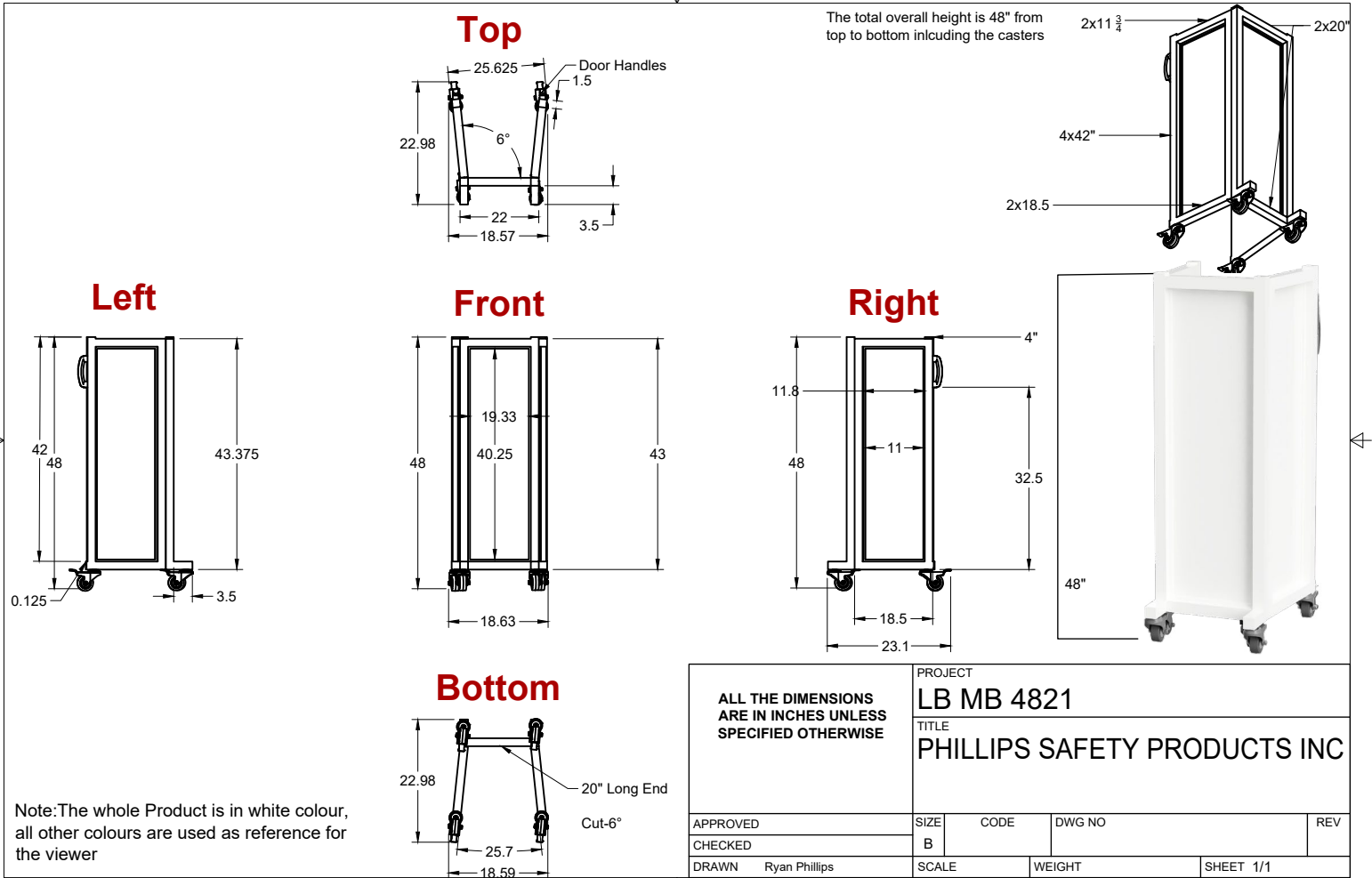
**WEIGHT: 122 lb**

**PROTECTION LEVEL: 2.0mm Pb LE**

**MATERIAL: 2.0mm thick lead sheets | Steel**

**FEATURES: H-Base for easy access, mobile, locking caster, grip handle on back of shield for easy mobility**

**PRODUCT INFORMATION**  
**STANDING MOBILE SHIELD**




# CONTACT

Should you need any further information,  
please do not hesitate to contact us.

123 Lincoln Blvd, Middlesex, NJ 08846, USA 

+1 866 575 1307 

service@phillips-safety.com 

www.phillips-safety.com 